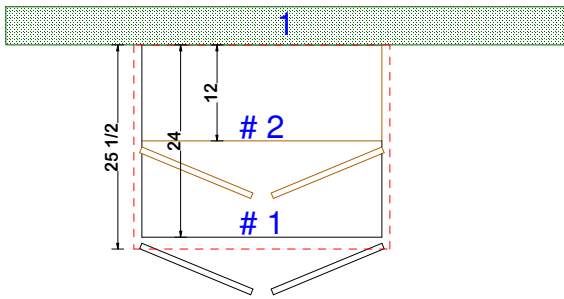
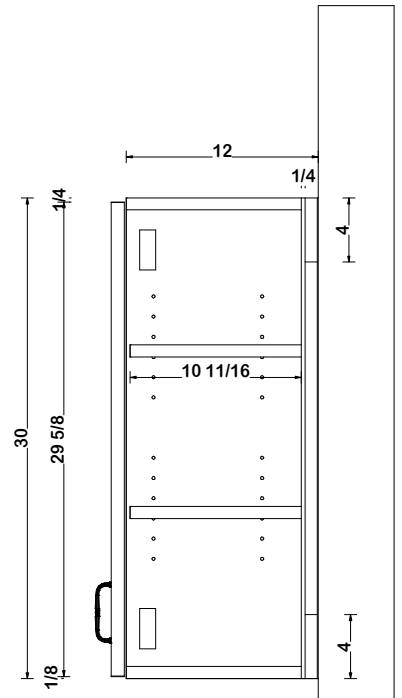


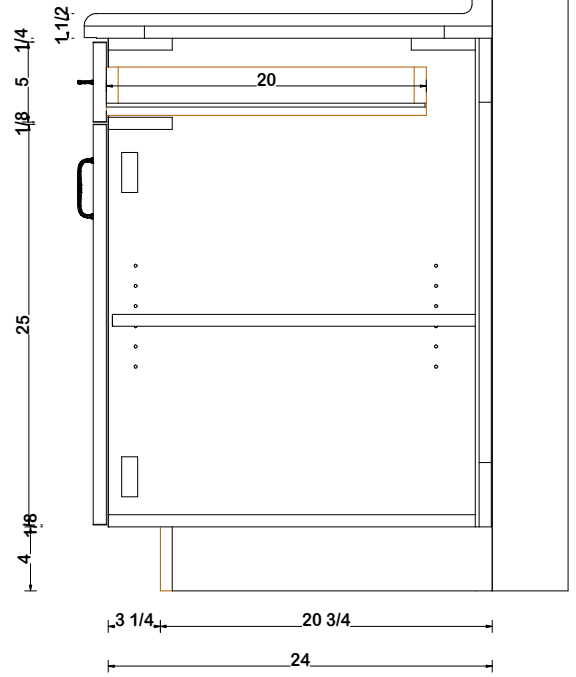
Elevation 1/2" = 1'



Plan View 1/2" = 1'



25 1/2



Section A - 1" = 1'