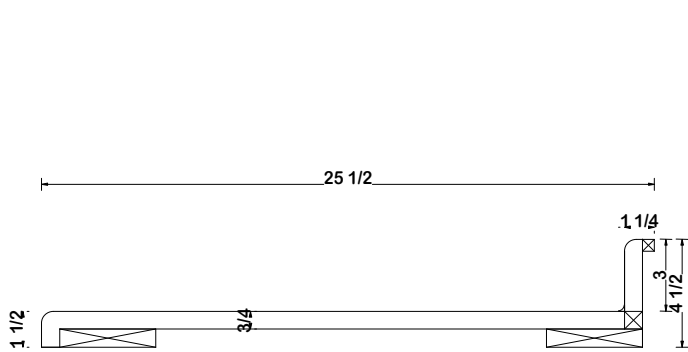
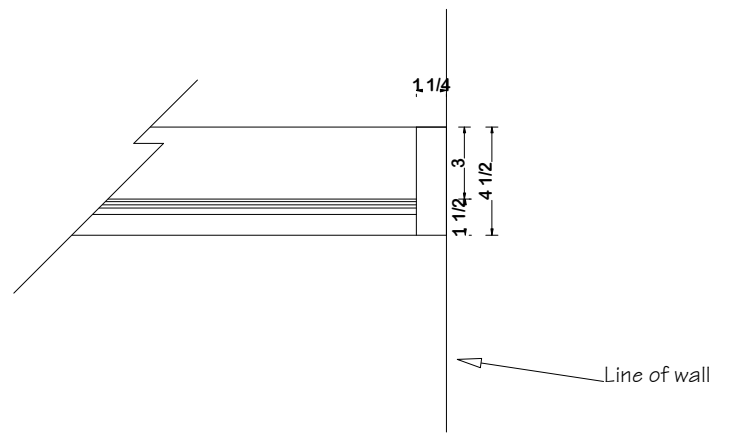


TOP VIEW OF COUNTERTOP



A - SECTION VIEW



B - FRONT VIEW